



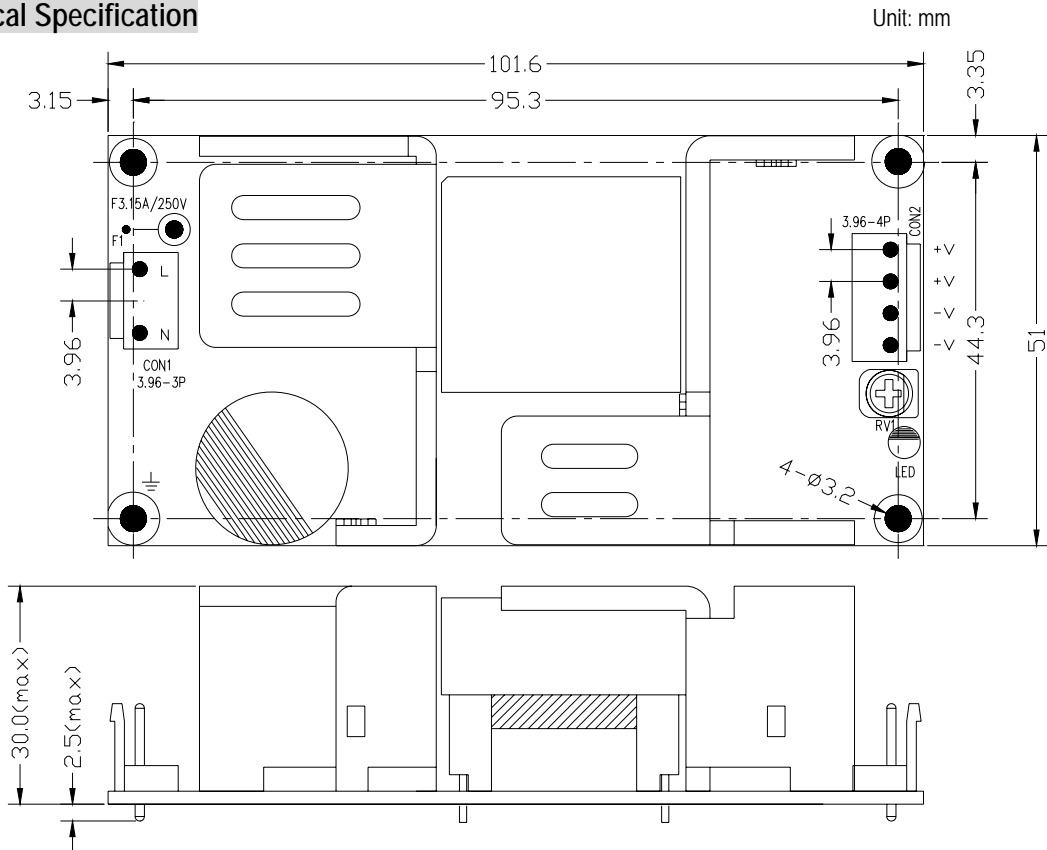
■ Features:

- Universal AC input/ Full range
- High Efficiency, low power consumption
- Output protections: SCP/OVP/ OLP
- Wide operating ambient temperature (-20°C~70°C)
- All using 105°C long life electrolytic capacitors.
- 100% full load burn-in test
- 3 year warranty

SPECIFICATION

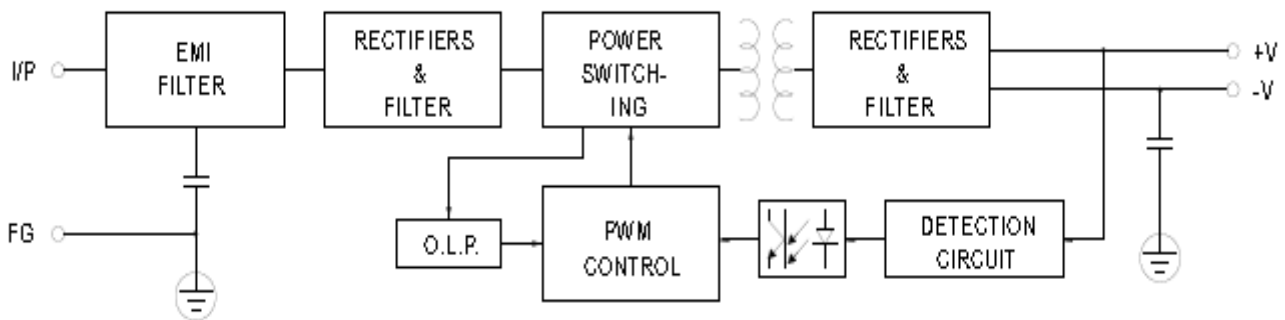
MODEL		PS-60-3.3	PS-60-5	PS-60-12	PS-60-15	PS-60-24	PS-60-48	
OUTPUT	DC Output	3.3V	5.0V	12.0V	15.0V	24.0V	48.0V	
	Rated Current	8.0A	8.0A	4.5A	3.6A	2.5 A	1.25A	
	Ripple and Noise Note 2	0~70°C	80mV	80mV	120mV	150mV	240mV	240mV
		-25°C~0°C	200mV	200mV	300mV	360mV	360mV	600mV
	Voltage ADJ. Range	-5.0%~+10% of rated output voltage						
	Voltage Accuracy	±3.0%						
	Line Regulation	±0.5%						
	Load Regulation	±2.0%						
	Set-up Time	≤1.0S (230Vac input, Full load)						
	Hold up Time	≥20mS(230Vac input, Full load)						
	Temperature Coefficient	±0.03%/°C						
Overshoot and Undershoot	<5.0%							
INPUT	Voltage Range Note 3	90Vac~264Vac						
	Frequency Range	47Hz-63Hz						
	Efficiency (Typical)	75%	81%	84%	84%	86%	87%	
	AC Current (max.)	< 1.5A						
	Inrush Current (Typical)	< 30A@120Vac		< 60A@230Vac		Cold start		
	Leakage Current	<0.25mA						
PROTECTION	Over Load	105%~180% of rated output current, hi-cup mode,auto recovery						
	Over Voltage	110%~150% of rated output voltage, Constant voltage,						
	Shorted Circuit	Long-term mode, auto recovery						
ENVIRONMENT	Operating amb. Temp. & Hum.	-20°C~70°C; 20%~90%RH No condensing						
	Storage Temp. & Hum.	-40°C~85°C; 10%~95%RH No condensing						
SAFETY & EMC (Note 4)	Safety Standards	GB4943-2001; EN60950-1: 2006						
	Withstand Voltage	Primary-Secondary:3.0KVac; ≤10mA .						
	Isolation Resistance	≥100M ohms						
	EMI Conduction&Radiation	Compliance to EN55022(CISPR22)ClassB						
	Harmonic Current	Compliance to EN61000-3-2,-3						
	EMS Immunity	Compliance to EN61000-4-2,3,4,5,6,8,11;ENV50204,light industry level,criteriaA						
OTHERS	MTBF (MIL-HDBK-217F)	More than 100,000Hrs (25°C , Full load)						
	Dimension (L*W*H)	101.6×50.8×30mm						
	Packing	60PCS/CTN, 12KGS, 0.024CBM						
	Cooling method	Cooling by free air convection						
NOTE	<ol style="list-style-type: none"> 1. All parameters NOT specially mentioned are measured at rated input, rated load and 25°C of ambient temperature. 2. Measured at 20MHz of bandwidth by using a 12" twisted pair-wire terminated with a 0.1 uF & 10uF parallel capacitor. 3. AC input range selected with switching. 4. The SPS is considered a component which will be installed into final equipment. The equipment must be re-confirmed that it still meets EMC directives. 							

Mechanical Specification



Item	Connectors	Mating Housing	Contacts
AC IN(CON1)	LANDWIN3961P0300T (Central Pin removed)	LANDWIN 3960S or JST VHR or Molex 51144	LANDWIN 3963T011R or JST SVH-21T-P1.1 Or Molex 50539
DC OUT(CON2)	LANDWIN 3961P0400T		

Block Diagram



Derating Curve

