

92x92x32mm IP series

IP 68

GENERAL SPECIFICATIONS

Frame Material: Plastic(UL 94V-0)
Impeller Material: Plastic(UL 94V-0)
Frame Type: Flange only
Bearing Type: B: Dual ball bearings

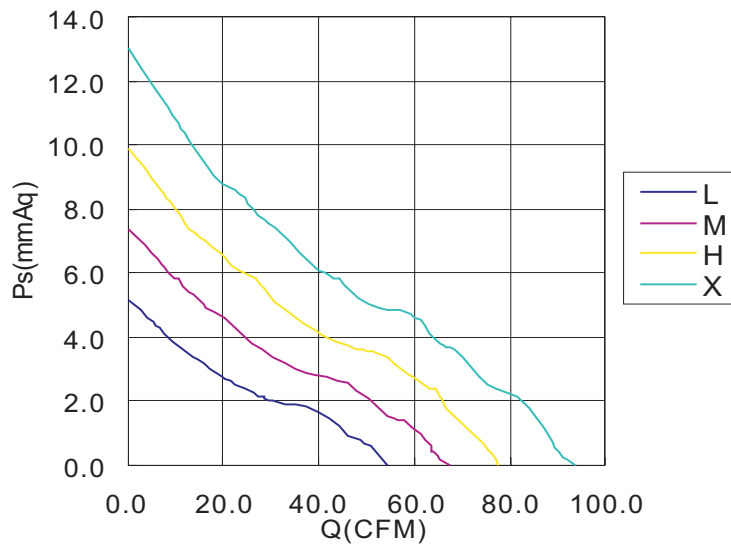


Item No.	Operating Voltage	Maximum Air Flow		Maximum Air Pressure		Speed	Rated Current	Input Power	Noise	Weight
	(V)	(CMM)	(CFM)	(mmAq)	(inchAq)	(rpm)	(A)	(W)	dB(A)	(g)
MG(1)9212LB-(2)32	12	1.542	54.43	5.15	0.203	3,000	0.20	2.40	36.5	168
MG(1)9212MB-(2)32	12	1.909	67.38	7.39	0.291	3,600	0.42	5.04	41.0	168
MG(1)9212HB-(2)32	12	2.203	77.78	9.85	0.388	4,200	0.68	8.16	46.6	168
MG(1)9212XB-(2)32	12	2.650	93.55	13.00	0.512	4,800	1.00	12.00	50.6	168

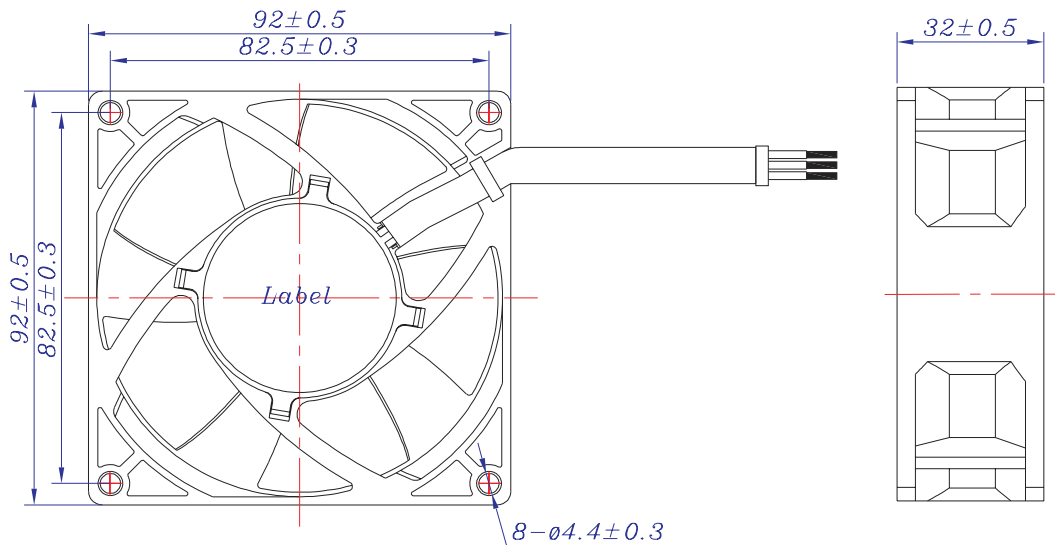
IP 68

92x92x32mm IP series

AIR FLOW/STATIC-PRESSURE



OUTLINE(mm)



Remarks:

(1)-Electric Characteristics:

A: Standard 2-Pin; T: Frequency Generation 3-Pin or more.

(2)-Function:

A: None Automatic Restart;

O: Automatic Restart & Locked Current Protection;

R: Rotate Detection, Automatic Restart & Locked Current Protection;

S: Thermo-Control Speed, Automatic Restart & Locked Current Protection;

W: Pulse Width Modulation & Automatic Restart & Locked Current Protection (PWM).

The spec is for reference only, it's subject to change without any prior notice.