

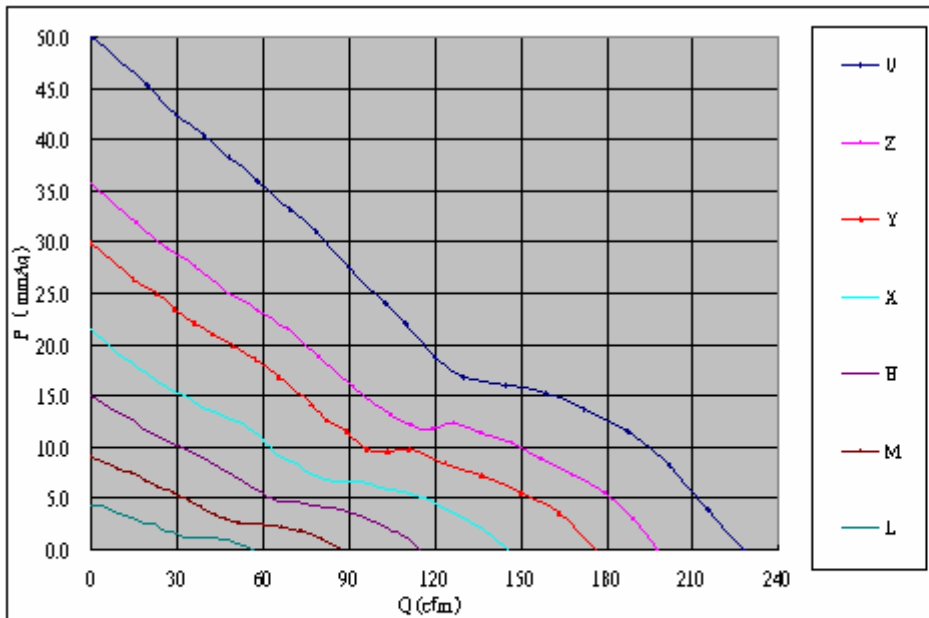
120x120x38mm IP series

GENERAL SPECIFICATION

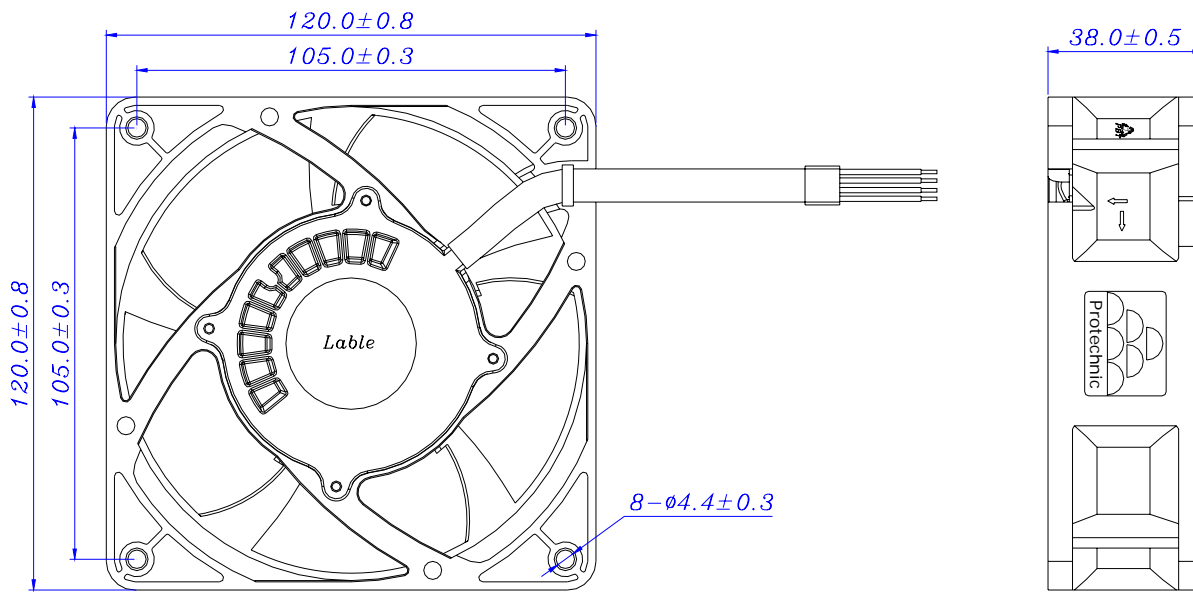
Frame Material Plastic(UL 94V-0)
 Impeller Material Plastic(UL 94V-0)
 Frame Type Falang only
 Bearing Type..... B: Dual ball bearings

Item No.	Operating Voltage	Maximum Air Flow		Maximum Air Pressure		Speed	Rated Current	Input Power	Noise	Weight
	(V)	(CMM)	(CFM)	(mmAq)	(inchAq)	(rpm)	(A)	(W)	dB(A)	(g)
MG(1)12012LB-(2)38	12	1.612	56.91	4.49	0.177	2,000	0.45	5.40	36.0	415
MG(1)12012MB-(2)38	12	2.458	86.77	9.08	0.357	3,000	0.68	8.16	46.1	415
MG(1)12012HB-(2)38	12	3.255	114.91	15.07	0.593	4,000	0.86	10.32	54.5	415
MG(1)12012XB-(2)38	12	4.127	145.67	21.5	0.846	5,000	1.35	16.2	60.7	415
MG(1)12012YB-(2)38	12	5.001	176.53	29.9	1.177	6,000	2.10	25.2	64.9	415
MG(1)12024LB-(2)38	24	1.612	56.91	4.49	0.177	2,000	0.22	5.28	36.0	415
MG(1)12024MB-(2)38	24	2.458	86.77	9.08	0.357	3,000	0.34	8.16	46.1	415
MG(1)12024HB-(2)38	24	3.255	114.91	15.07	0.593	4,000	0.43	10.32	54.5	415
MG(1)12024XB-(2)38	24	4.127	145.67	21.5	0.846	5,000	0.70	16.80	60.7	415
MG(1)12024YB-(2)38	24	5.001	176.53	29.9	1.177	6,000	1.05	25.2	64.9	415
MG(1)12024ZB-(2)38	24	5.603	197.78	35.7	1.406	6,800	1.40	33.6	67.8	415
MG(1)12024UB-(2)38	24	6.459	228.00	50.00	1.969	7,500	1.75	42.00	70.0	415
MG(1)12048MB-(2)38	48	2.458	86.77	9.08	0.357	3,000	0.18	8.64	46.1	415
MG(1)12048HB-(2)38	48	3.255	114.91	15.07	0.593	4,000	0.26	12.40	54.5	415
MG(1)12048XB-(2)38	48	4.127	145.67	21.5	0.846	5,000	0.35	16.8	60.7	415
MG(1)12048YB-(2)38	48	5.001	176.53	29.9	1.177	6,000	0.43	20.64	64.9	415
MG(1)12048ZB-(2)38	48	5.603	197.78	35.7	1.406	6,800	0.60	28.8	67.8	415
MG(1)12048UB-(2)38	48	6.459	228.00	50.00	1.969	7,500	0.85	40.80	70.0	415

AIR FLOW/STATIC-PRESSURE



OUTLINE(mm)



Remarks:

(1)-Electric Characteristics:

A: Standard 2-Pin; T: Frequency Generation 3-Pin or more.

(2)-Function:

A: None Automatic Restart;

O: Automatic Restart & Locked Current Protection;

R: Rotate Detection, Automatic Restart & Locked Current Protection;

S: Thermo-Control Speed, Automatic Restart & Locked Current Protection;

W: Pulse Width Modulation & Automatic Restart & Locked Current Protection (PWM).

The spec is for reference only, it's subject to change without any prior notice